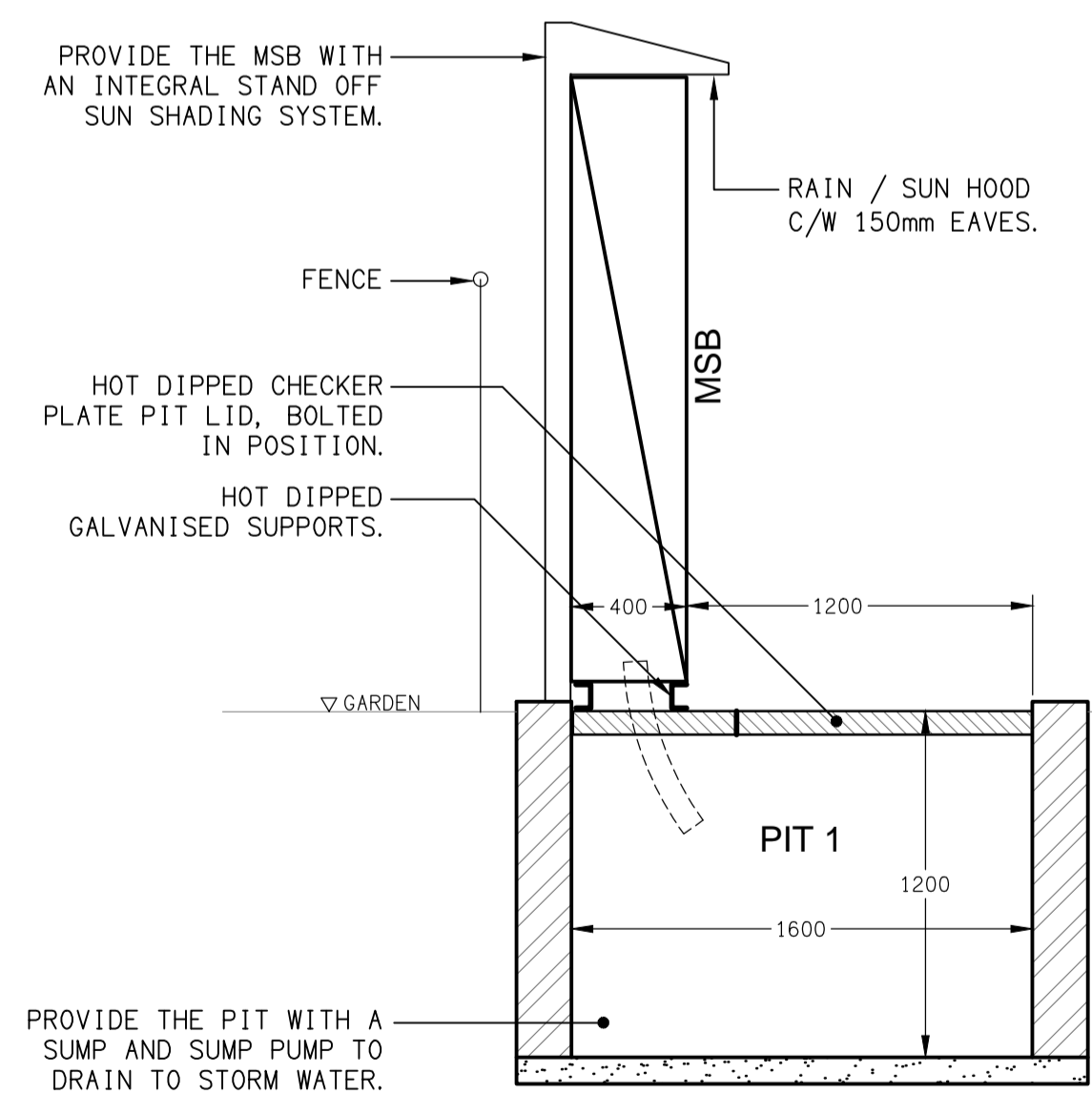


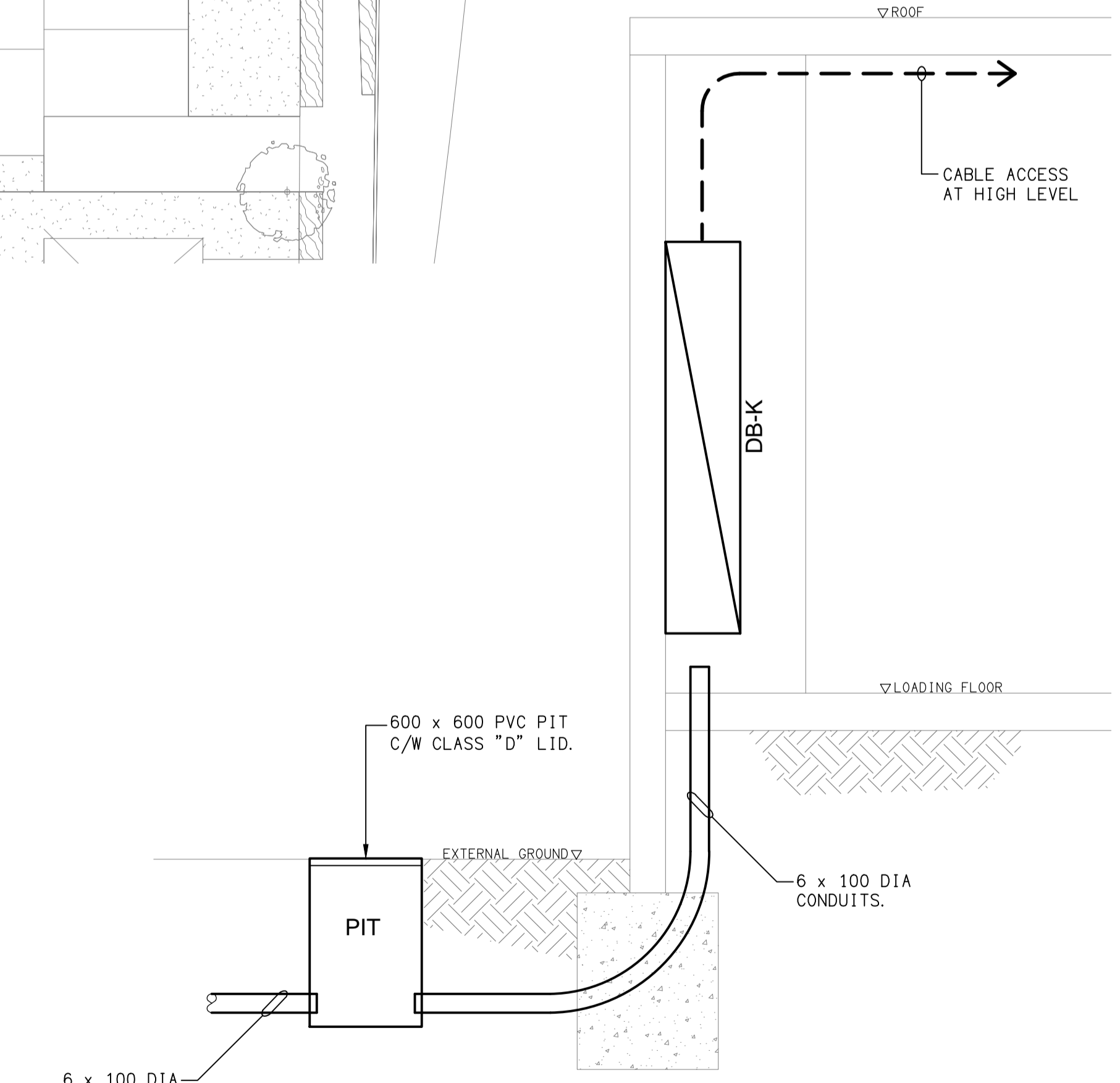
ALLOW TO MODIFY / RELOCATE THE EXISTING ELECTRICAL PIT IN THIS LOCATION AS NECESSARY TO ACCOMMODATE THE PORTE COCHERE WORKS.

NEW 6 x 100 DIA UNDERGROUND CONDUITS CONNECTING THE MSB PIT TO THE DB-K RISER CUPBOARD VIA A NEW PIT.

SITE PLAN
CLUB KAWANA STAGE 1
SCALE 1:250



DETAIL A
MSB & PIT 1 SECTION
NOT TO SCALE



DETAIL B
DB-K RISER CUPBOARD SECTION
NOT TO SCALE

ELECTRICAL DESIGN GROUP BRISBANE PTY LTD
ACN 092 710 793
TRADING AS:
ELECTRICAL DESIGN GROUP

THE COPYRIGHT OF THIS DRAWING REMAINS THE PROPERTY OF THE ELECTRICAL DESIGN GROUP.
USE FIGURED DIMENSIONS IN PREFERENCE TO SCALE.
ALL DIMENSIONS TO BE VERIFIED ONSITE.

ELECTRICAL DESIGN GROUP
ELECTRICAL BUILDING SERVICES CONSULTANTS
BRISBANE GOLD COAST
P.O. Box 15, Sherwood Q.4075
Phone: (07) 3278 4375
Email: brisbane@edg.net.au
Web: www.edg.net.au

PROJECT:
CLUB KAWANA - STAGE 1
476 NICKLIN WAY, WURTULLA

B	TENDER	30/04/2024
REV.	DESCRIPTION:	DATE:
DRAWING: ELECTRICAL SERVICES SITE PLAN		
SCALE: 1:250	AT A1	PROJECT NO: C2957a
		DRAWING NO: E02
		REVISION: B